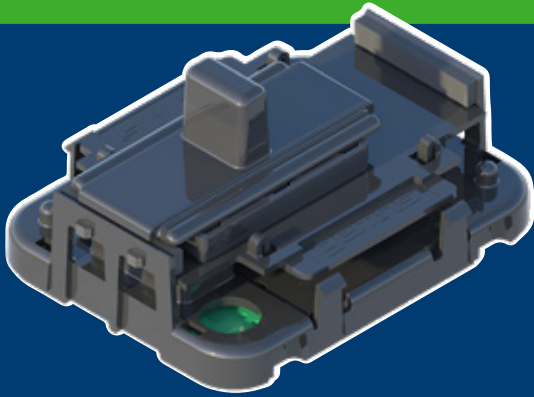
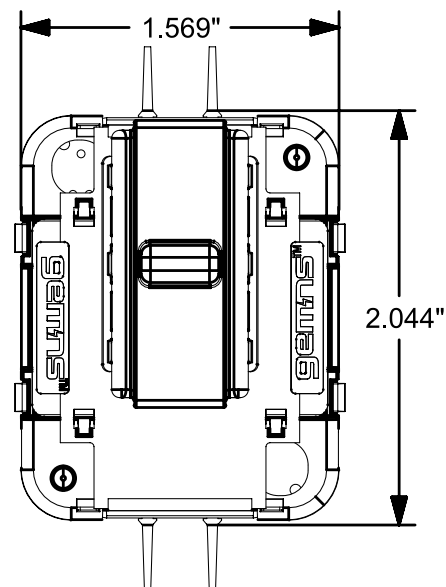
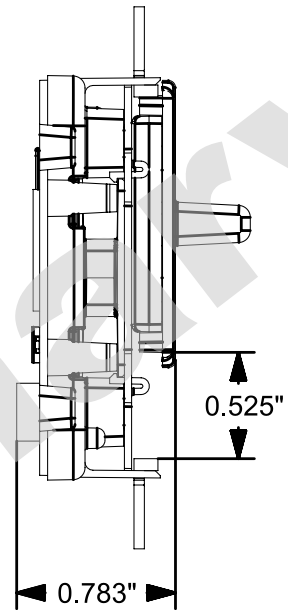


G300 EHG Wireless Panel Switch



A high-output device that requires less force to activate, the G300 is most useful for consumer products like lighting and smart home devices. The G300 will also have applicability in future IoT products where new activation methods will be explored.

Dimensions



- ▶ High-output EHG that requires less force to activate
- ▶ Ideal for consumer product applications like lighting and smart home devices
- ▶ Life-tested to over 100,000 activations (with 1 million+ achievable)
- ▶ Due to its low activation force, new activation methods will make this a favorite for IoT designers

gemns™